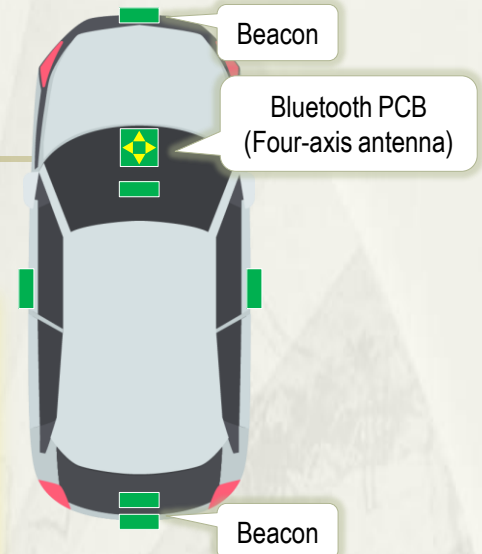
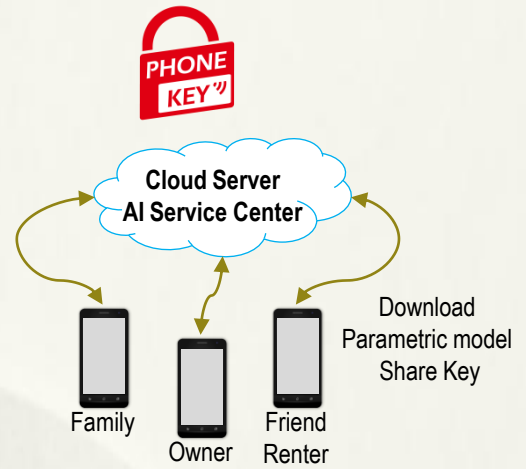
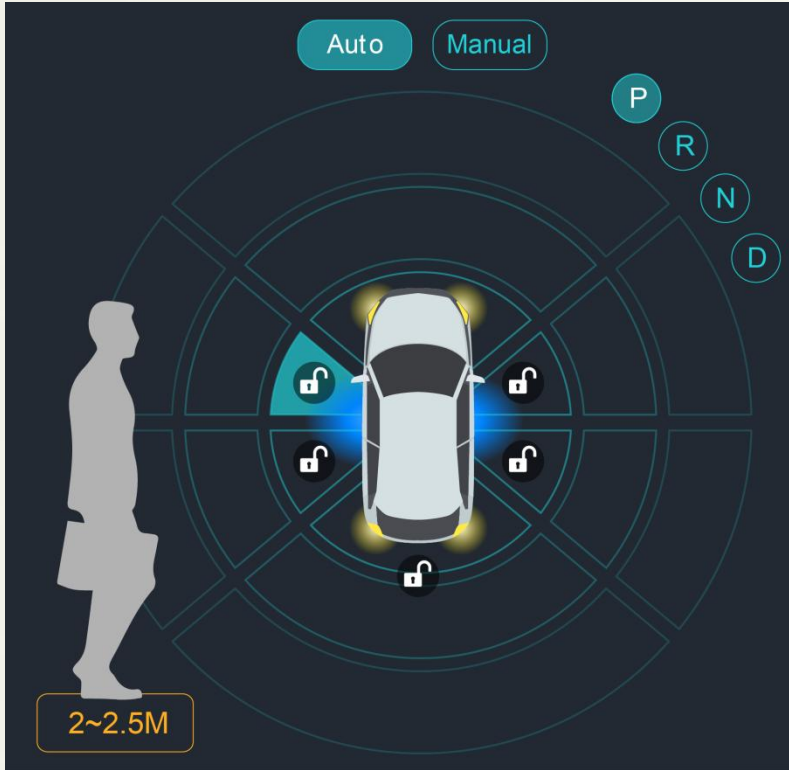


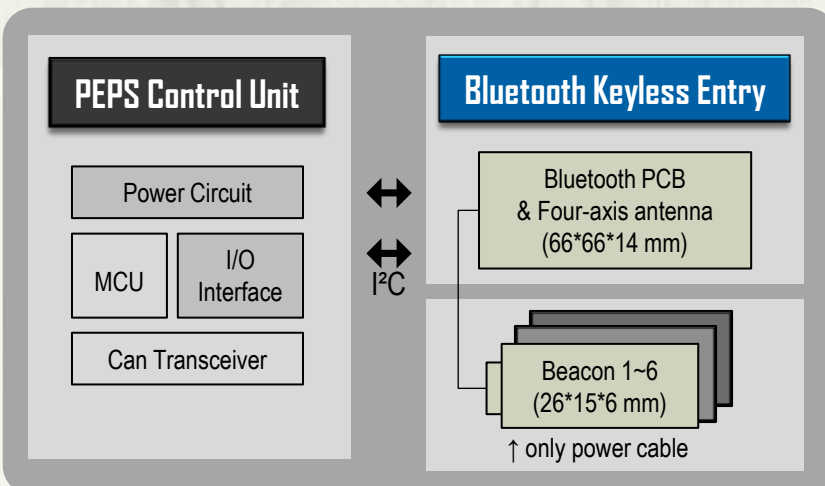
Bluetooth Keyless Entry

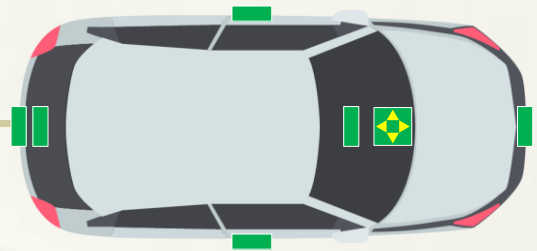
Simple and elegant life. No need of iKEY for driving.
Phonekey solution, more convenient and safer.



Features

- Mobile phone position judgment
- Reliability of Bluetooth signal transmission
- Full control of phone keys
- Hardware installment advantage and low power consumption
- Safety alert notice





Features

- **Mobile phone position judgment**

iOS / Android phone's position will be judged quickly and accurately.

- **Reliability of Bluetooth signal transmission**

With the dual-key changeable security authentication technology, transmission of the Bluetooth signal cannot be cracked by record aside.

Wireless authentication system and wireless authentication method

(Taiwan, 2016-11-21, I559165) (US, 2017-03-28, US9609512B2)

- **Full control of phone keys**

The owner has total rights to create and manage the keys offline.
We also provide password renew mechanism for use with guarantee card.

Password setting method and system, and lockset matching method and system

(Taiwan, 2018-07-11, I629611) (US, 2018-01-02, US9858736) (CN, 201610659947.2)

- **Hardware installment advantage and low power consumption**

1. Easy to install. Bluetooth PCB is closed to PEPS system and only power cable is needed for beacon.
2. Stable Bluetooth signal. No cable signal transmission interference problem.
3. When standby, only Bluetooth PCB operates at the lowest power consumption.
4. Long distance car search (over 50 meters) with four-axis antenna.

- **Safety alert notice**

An alarm message will send to designated user when car engine is idling over ten minutes to avoid carbon monoxide poisoning incidents .

